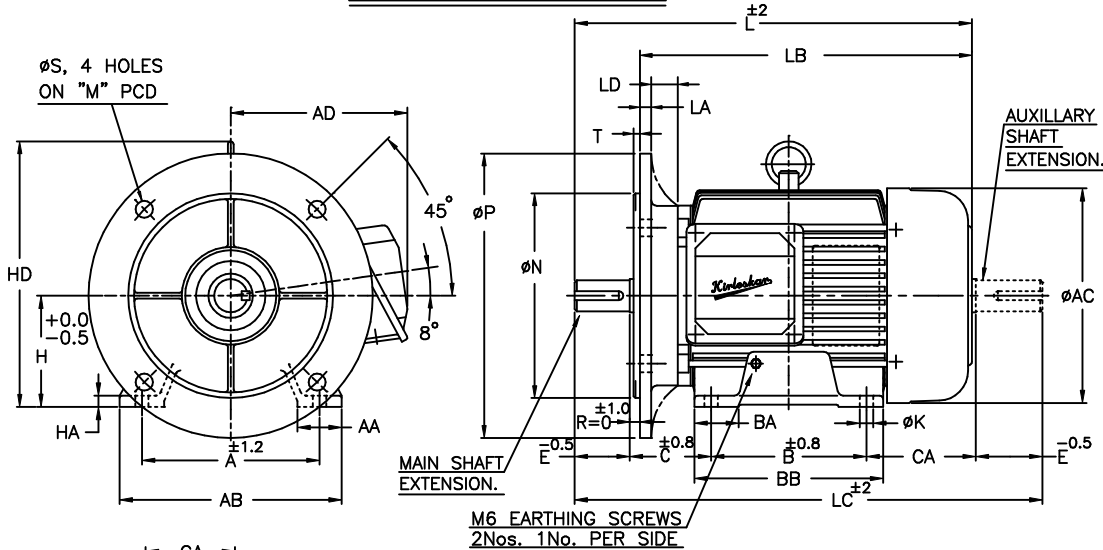


UNINTENTIONED TOLERANCES

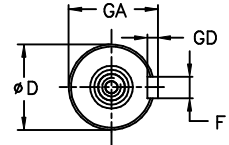
LINEAR DIMENSIONS (UP TO 1000)	0	6	315	1000
(MACHINED) TOL.	±0.2	±0.5	±0.8	±1.2
ANGLES	± 1/2°			

ALL INFORMATION CONTAINED IN THIS DOCUMENT IS CONFIDENTIAL AND THE PROPERTY OF KIRLOSKAR ELECTRIC CO.LTD. REPRODUCING OF THESE IN ANY FORM IS TO BE DONE WITH THE SPECIFIC PERMISSION OF THE COMPANY.

**DIMENSIONAL DRAWING**

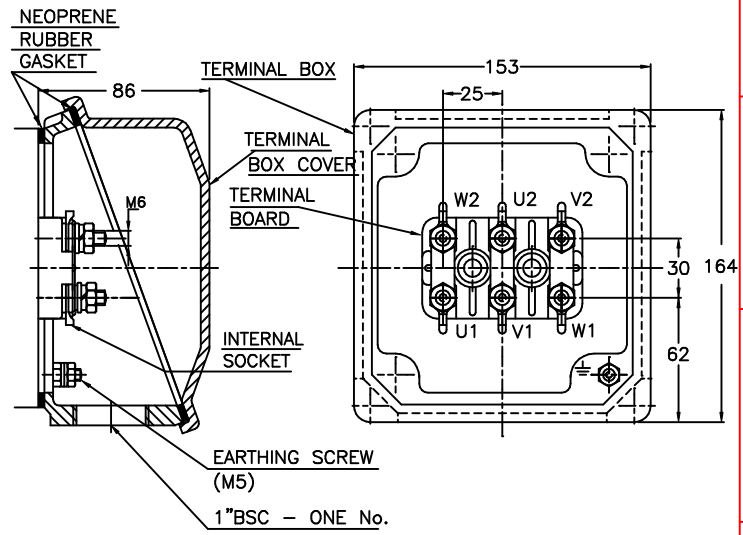


**DETAILS OF MAIN & AUXILIARY SHAFT EXTENSION**



- NOTE :**
1. DIMENSIONS ARE AS PER IS:1231 & 2223
  2. DEGREE OF PROTECTION: IP:55.
  3. TOLERANCE ON 'D' : k6. TOLERANCE ON 'N' : j6.
  4. PROTECTED CENTRE HOLE AT SHAFT EXTENSION AS PER IS:2540. "M16 X 32" FOR 'D'- ø42
  5. TERMINAL BOX CAN BE ROTATABLE THROUGH 360° IN STEPS OF 90°.
  - \* 6. BELOW MENTIONED 'HA' DIMENSION: 25 FOR CI BODY 18 FOR AL. BODY
  7. KEY & KEYWAY ARE AS PER IS:2048 & TOLERANCE ON KEYWAY IS P9.

**TERMINAL BOX ARRANGEMENT**



**NOTE:** MAX. CABLE SIZE : MAIN-1x3Cx16 sqmm.

SL. NO.	FRAME	A	AA	AB	AC	AD	B	BA	BB	C	CA	D	E	F	GA	GD	H	*HA	HD	K	L	LA	LB	LC	LD	M	N	P	S	T
1	FBPM 160M	254	60	314	310	250	210	60	270	108	167	42	110	12	45	8	160	25	380	15	596	13	486	705	32	300	250	350	19	5
2	FBPM 160L						254		314												640		530	749						

**Z122625100JR**

SURFACE ROUGHNESS (MAX) AS PER KSD-02-027

Ro	um	50	12.5	25	1.6	3.2	6.3	12.5	0.2	0.4	0.8	1.6	0.025	0.05	0.1
OLD		✓	✓	✓	✓	✓	✓	✓	✓	✓	✓	✓	✓	✓	✓
NEW		✓	✓	✓	✓	✓	✓	✓	✓	✓	✓	✓	✓	✓	✓

UC: UNMENTIONED  
 CHAM: R0.5  
 RAD: 1

REV.	1	ZONE	-	DCN.No.	0122209	BRIEF RECORD	REDRAWN IN A NEW FORMAT.	Sd/-	10/01/09	PRINTS ISSUED TO	QA MARKETING PRODUCTION
8	7	6	5								

THIS SUPERSEDES ..... FROM dt ..... AS PER DCN No.....  
 THIS SUPERSEDED BY ..... FROM dt ..... AS PER DCN No.....

MATERIAL SPECIFICATION	RAW MATERIAL SIZE	WEIGHT kg	SCALE	
-	-	RM FIN.	N.TS	
CASTING/FAB REF.		No.P.S.:	REDRAWN	
USED ON		sd/-	CHECKED	STANDARD
FBPM160		dt10/01/09	APPROVED	
TITLE:		sd/-	dt10/01/09	dt10/01/09
DIMENSION SHEET		dt10/01/09	dt10/01/09	dt10/01/09
KIRLOSKAR ELECTRIC COMPANY LTD. HUBLI-580030 (INDIA)		SHEET ONE OF ONE		

FORM No. 02 201 02B (ISSUE 7)